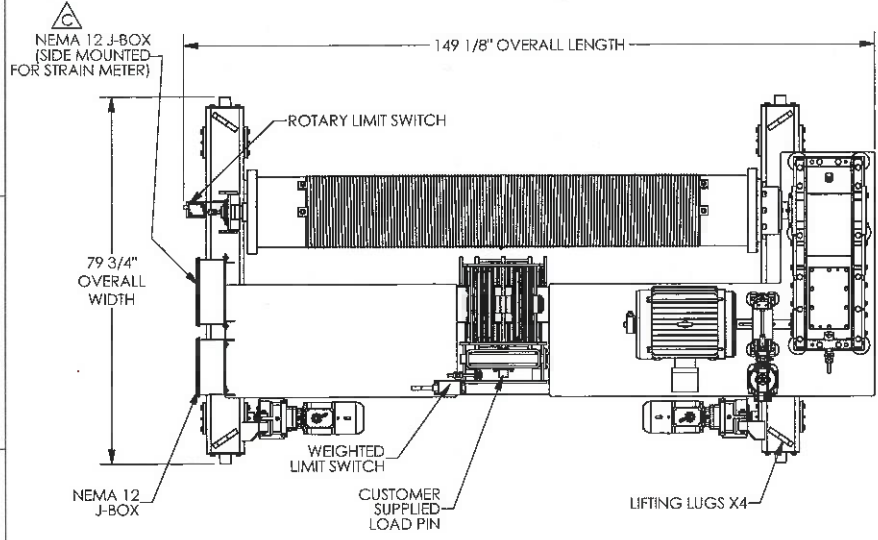


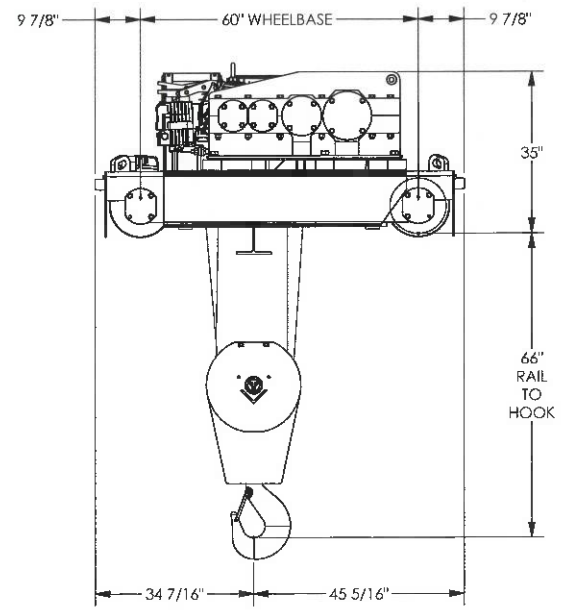
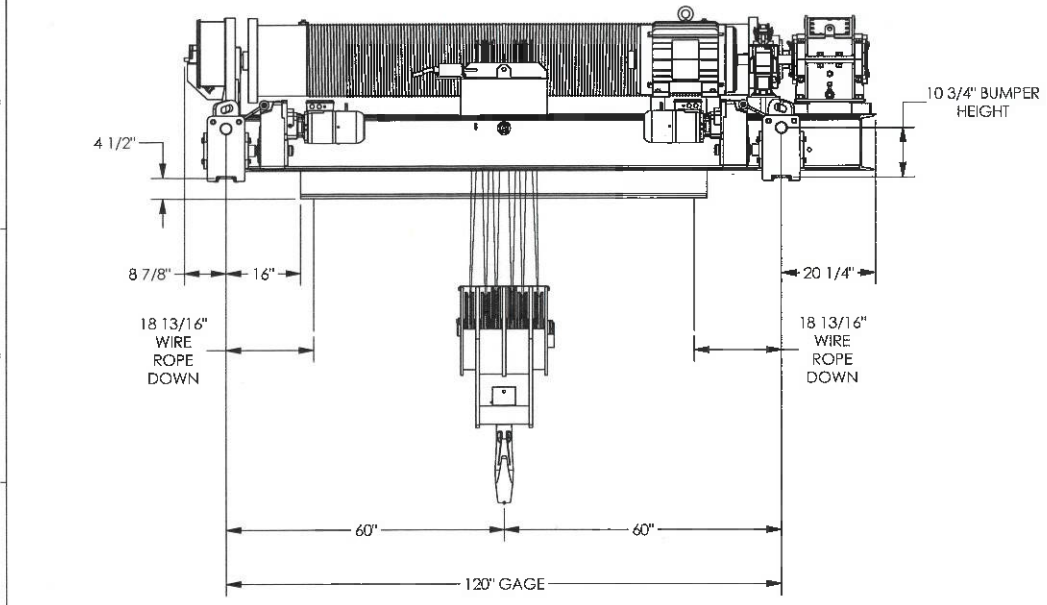
JOB # [] QTY []



NOTES:

- 10,000 HOUR BEARING LIFE.
- MONDEL INDUSTRIAL DUTY THRUSTER SHOE TYPE HOIST BRAKE.
- STEEL FABRICATED, HORIZONTAL SPLIT HOIST REDUCER WITH ENCAPSULATED BEARINGS AND TACONITE SEALS.
- ROTARY 4 POLE CONTROL TYPE LIMIT SWITCH.
- BACKUP UPPER WEIGHTED LIMIT SWITCH.
- LIFTING LUGS ARE OSHA RATED TIE OFF POINTS.
- HOIST IS FULLY DECKED.
- WIRE ROPE SHIPPED LOOSE, MAY NEED TO BE TRIMMED.
- 24:1 MINIMUM WIRE ROPE TO RUNNING SHEAVE AND DRUM DIAMETERS.
- 5:1 SAFETY FACTOR ON 6X37, XXIP IWRC WIRE ROPE.
- 3/8 DEPTH DRUM GROOVING.
- HOIST MOTORS TO BE TENV, 60 MIN. DUTY W/ CLASS 'H' INSULATION.
- CUSTOMER SHALL SUPPLY CLOSED LOOP VECTOR CONTROLS.
- HOIST MOTOR ENCODER SUPPLIED BY IMS, PLACED IN JUNCTION BOX FOR SHIPPING.
- TROLLEY MOTORS TO BE TEFC, 60 MIN. DUTY W/ CLASS 'F' INSULATION.
- DOUBLE TAPERED CONE AND CUP BEARINGS IN RUNNING SHEAVES.
- WHEELS TREAD HEAT TREATED TO 400 BHN.
- SHEAVE GROOVES HEAT TREATED TO 400 BHN.
- RUBBER BUMPERS.
- TOW BAR BY OTHERS.
- STRAINERT LOAD PIN, STRAIN METER, AND WIRING BY CUSTOMER. DUMMY PIN INSTALLED BY IMS.
- APPROXIMATE HOIST WEIGHT IS 9,400 LBS.

HOIST SPECIFICATIONS	
CAPACITY, TONS	40
CMAA SERVICE CLASS	D
LIFT, FT	42
NUMBER OF SPEEDS	V/F
HOIST SPEED, FPM	14
MOTOR POWER, HP	40
MOTOR SPEED, RPM	1800
MOTOR CONSTRUCTION	FLUX VECTOR
HOLDING BRAKE TYPE	SHOE
HOLDING BRAKE SIZE	8 INCH
HOLDING BRAKE TORQUE, FT-LBF	185
HOIST REDUCER TYPE	HELICAL
DRUM DIAMETER, IN	15 7/8"
WIRE ROPE / REEVING	9/16" - 6 PD
RUNNING SHEAVES	18"/16"
CONTROL BRAKE TYPE	DYN LOWERING
PRIMARY LIMIT SWITCH	GEARED ROTARY
SECONDARY LIMIT SWITCH	WEIGHTED
POWER	460/3/60
CONTROLS	BY OTHERS
INDOOR / OUTDOOR	INDOOR
AMBIENT TEMPERATURE, °F	40 TO 119
TROLLEY SPECIFICATIONS	
WHEEL DIAMETER, IN	12
MAX WHEEL LOAD, LBS	26,600
RAIL SIZE	ASCE 60#
NUMBER OF SPEEDS	V/F
TRAVEL SPEED, FPM	80
MOTOR POWER, HP	QTY 2 @ 3.0
MOTOR SPEED, RPM	1800
MOTOR CONSTRUCTION	SQ. CAGE
HOLDING BRAKE TYPE	DISC
HOLDING BRAKE TORQUE, FT-LBF	QTY 2 @ 5.9
TROLLEY REDUCER TYPE	HELICAL



REV.	DESCRIPTION	DATE
D	ADDED STOPS TO PROTECT LOAD PIN - AJB	4/2/2019
C	ADDITIONAL J-BOX ADDED FOR LOAN PIN - AJB	3/28/2019
B	RELEASED FOR PRODUCTION - HGH	2/8/2019
A	RELEASED FOR SUBMITAL	11/29/2018

UNLESS OTHERWISE NOTED, ALL DIMENSIONS ARE INCHES	
MANUFACTURER TOLERANCES	
FRACTIONAL:	± 1/16"
ANGULAR:	± 0.5°
MACH:	± 0.015"
WELD:	± 0.015"
THREE PLACE DECIMAL (0.001):	± 0.005"
THREE PLACE DECIMAL (0.0005):	± 0.0025"

CONFIDENTIALITY STATEMENT
 This document and the information contained herein are the property of Integrated Machinery Solutions, LLC. Duplication of this information is prohibited. This drawing or any information from this drawing may not be provided or revealed to another party without prior written authorization from Integrated Machinery Solutions, LLC.



DRAWING TITLE:
HOIST ASSY, TR, 40T, MAIN, 14 FPM, 120 GAGE, 60 WB, 6 PD

INTEGRATED MACHINERY SOLUTIONS, LLC
 1200 NORTHWEST PARKWAY
 ANNE, TX 74009
 TEL: 817-493-2442
 FAX: 817-493-7424
 www.ims-nll.com

APPROVED	INITIALS	DATE	DRAWING NUMBER	SIZE
	AJB	11/29/2018	515-008-031	C

WEIGHT: 9400.0 LBS SCALE: 1:20 SHEET 1 OF 2